

IBC TOTE SCALE

FOR CHEMICAL IBC TOTES

- + Safely track chemical usage and tank levels
- + Warn of dangerous over and underfeed conditions
- + Prevent system from running empty
- + 4-20mA remote monitoring reduces operator exposure to chemicals

Sodium Hypochlorite

Polyorthophosphate

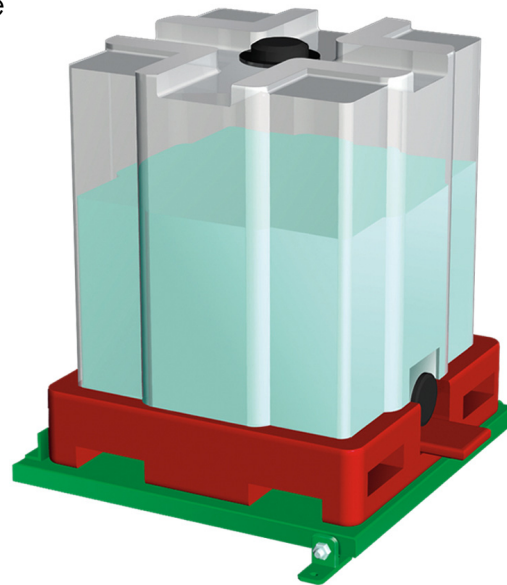
Sodium Bisulfate

Fluoride

Polymer

Caustic

Alum



NO FINGER POINTING.
NO FINE PRINT.™



OUR ADVANCED
WIZARD 4000®
DIGITAL INDICATOR
SIMULTANEOUSLY
MONITORS REMAINING
CHEMICALS, FEED RATES,
AND USAGES ON UP TO
4 SEPARATE IBC TOTES



SOLO XT®



CENTURY®



SOLO® G2



WIZARD 4000®

Strict federal and state reporting requirements have created a need for water and wastewater plant operators to easily and accurately track chemical feed rates and usages. The IBC Tote Scale gives you this information along with the assurance that your chemical supply will not unexpectedly run out.

The heavy duty steel platform is protected with our advanced 80 mil thick TUF-COAT™ Environmental Armor. Tuf-Coat is highly resistant to chemicals, abrasion, impact and ultraviolet light degradation making the IBC Tote Scale ideal for even the

harshest environments. Options include 316 stainless steel and MaxSense™ high accuracy models.

The IBC Tote Scale utilizes weighing technology to create a highly reliable, non-contacting chemical monitoring system that avoids problems other sensor technologies face caused by irregular tank shapes, corrosive chemical fumes, fluctuating temperatures and changes in specific gravity.

FORCE FLOW

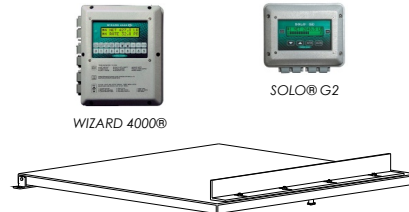
IBC TOTE SCALE

MODELS AND ORDERING INFORMATION

IBC Tote Scales do not include weight indicating instrument. Select from the following: Wizard 4000® Advanced Digital Display (Bulletin 400), the SOLO® G2 Digital Weight Display (Bulletin 516), the SOLO XT® Hydraulic Digital Display (Bulletin 514) or the Century Hydraulic dial (Bulletin 200). Please order indicator separately.

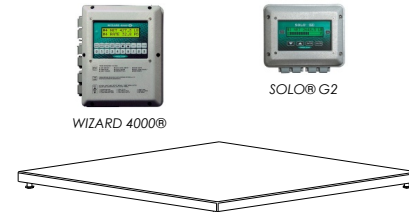
ELECTRONIC - Single Load Cell Platform (Includes platform with backstop and electronic load cell with 20 ft. cable. Lengths up to 100 ft. available; request when ordering.)

MODEL	MATERIAL	X	Y	Z	H	ACCURACY
54-DR××TB	TUF-COAT® STEEL	54"	54"	58"	3.25"	1/4 of 1% FS
54-DR××TBS	316 STAINLESS STEEL	54"	54"	58"	3.25"	1/4 of 1% FS
60-DR××TB	TUF-COAT® STEEL	60"	60"	64"	3.25"	1/4 of 1% FS
60-DR××TBS	316 STAINLESS STEEL	60"	60"	64"	3.25"	1/4 of 1% FS



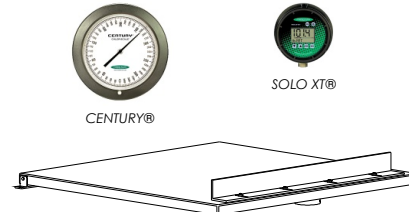
ELECTRONIC - Hi Accuracy 4-Load Cell Platform (Includes platform and (4) electronic load cells with 20 ft. of cable. Lengths up to 100 ft. available; request at time of purchase. Backstop not included or necessary on these models but available upon special request.)

MODEL	MATERIAL	X	Y	Z	H	ACCURACY
54-DR××TB-HA4	TUF-COAT® STEEL	54"	54"	58"	3.25"	1/10 of 1% FS
54-DR××TBS-HA4	316 STAINLESS STEEL	54"	54"	58"	3.25"	1/10 of 1% FS
60-DR××TB-HA4	TUF-COAT® STEEL	60"	60"	64"	3.25"	1/10 of 1% FS
60-DR××TBS-HA4	316 STAINLESS STEEL	60"	60"	64"	3.25"	1/10 of 1% FS

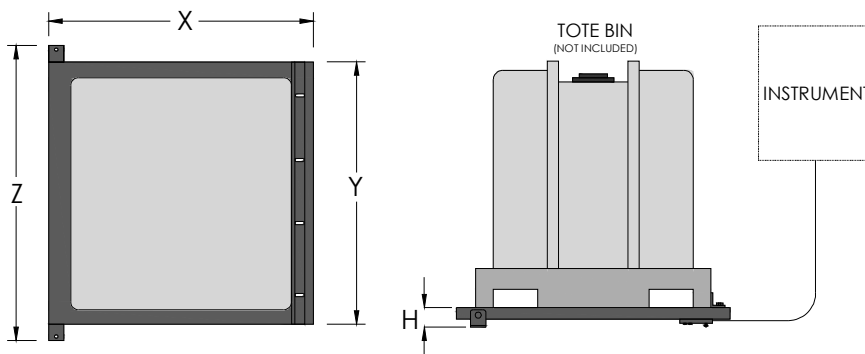


HYDRAULIC - Single Load Cell Platform (Includes platform with backstop, and hydraulic load cell with 12 ft. Hose and quick connect. Hose/tubing lengths up to 100 ft. available to allow remote mounting of indicator; request at time of purchase.)

MODEL	MATERIAL	X	Y	Z	H	ACCURACY
54-HY××TB	TUF-COAT® STEEL	54"	54"	58"	3.25"	1/2 of 1% FS
54-HY××TBS	316 STAINLESS STEEL	54"	54"	58"	3.25"	1/2 of 1% FS
60-HY××TB	TUF-COAT® STEEL	60"	60"	64"	3.25"	1/2 of 1% FS
60-HY××TBS	316 STAINLESS STEEL	60"	60"	64"	3.25"	1/2 of 1% FS



×× = CAPACITY: 1000 lbs = "10", 2000 lbs = "20", 3000 lbs = "30", 4000 lbs = "40", 5000 lbs = "50"



SPECIFYING GUIDELINES:

- A. For maximum accuracy, size scale capacity to match the gross weight (chemical plus tote tare weight).
- B. Tote size should not exceed platform size.
- C. Supply connections must be flexible and preferably connected to tote over pivoted side of platform.

Please visit www.forceflow.com for drawings, engineered specifications and manuals.

